

** THOMSON™**

*Linear Motion. Optimized.*

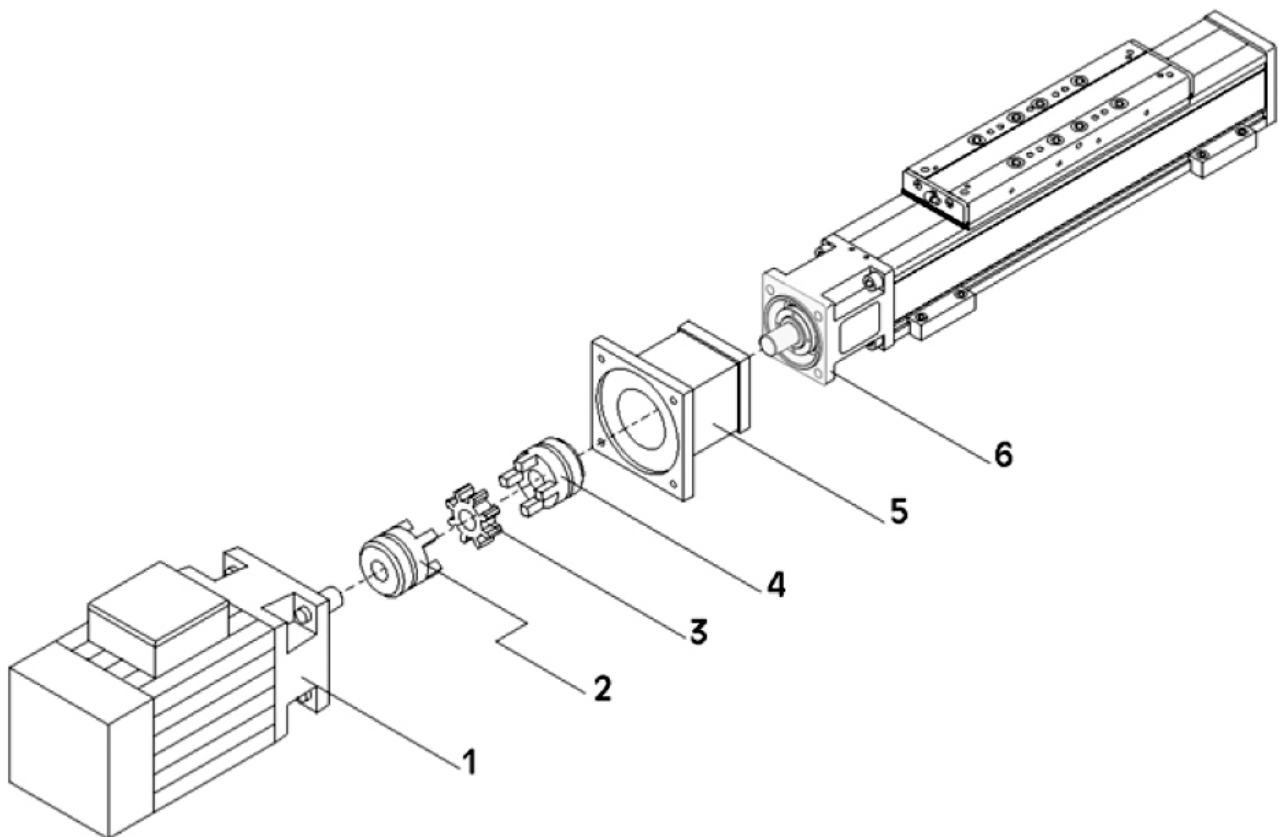
## **MOUNTING OF A MOTOR AND FLANGE TO A LINEAR MOTION SYSTEM**

**A DANAHER MOTION COMPANY**

## Mounting a drive motor to the flange of a linear motion system

The electrical installation and the checking of the direction of rotation may only be carried out by a licensed electrician. Always check the direction of motor rotation in association with the safety limit switches (if necessary, change the direction of rotation by connecting the motor differently) before mounting the motor. Then proceed as described below:

1. Attach the coupling half (4) to the drive shaft of the linear motion system.
2. Attach the motor adapter flange (5) to the flange of the linear motion system (6) with four screws.
3. Push the toothed wheel (3) onto the coupling half on the linear motion system.
4. Mount the second coupling half (2) on the drive shaft of the motor (1).
5. Attach the motor with the coupling half to the motor adapter flange (5) with four screws. Ensure that no axial pressure is exerted on the motor shaft. If necessary, correct the distance between the two coupling halves.



1. Motor
2. Coupling half
3. Toothed wheel
4. Coupling half
5. Adapter flange
6. Flange

Make sure all bolts and screws are tightened according to the tables on the next page.

**Tightening torque tables**

TABLE 1: ROTEX GS TYPE 1.0/1.1

RotexGS size	Setscrew	Tightening torque
5	M2	2,5 Nm
7	M3	3,5 Nm
9, 12, 14	M4	5,0 Nm
19, 24	M5	10 Nm
28, 38	M8	15 Nm
42, 48	M8	20 Nm
55, 65	M10	20 Nm
75	M10	25 Nm



TABLE 2:  
ROTEX GS TYPE 2.0/2.1/2.5/2.6/4.0/5.0/6.0/6.5

RotexGS size	Clamp.screw	Tightening torque
5	M1,2	- Nm
7	M2	0,37 Nm
9	M2,5	0,76 Nm
12, 14	M3	1,34 Nm
19, 24	M6	10,5 Nm
28, 38	M8	25 Nm
42	M10	69 Nm
48, 55, 65	M12	120 Nm
75	M16	295 Nm

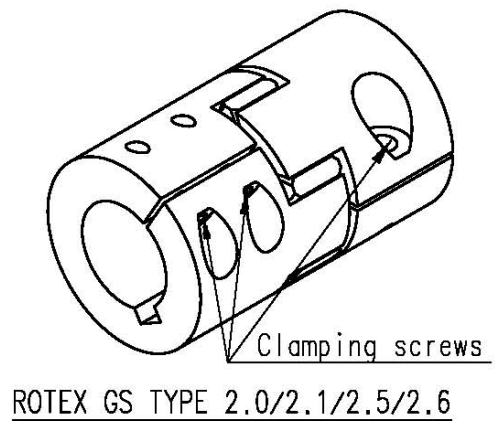
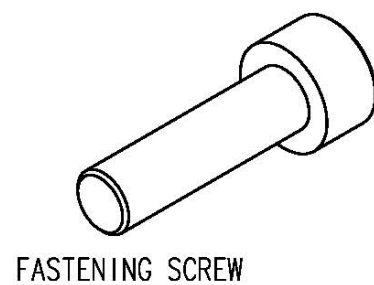
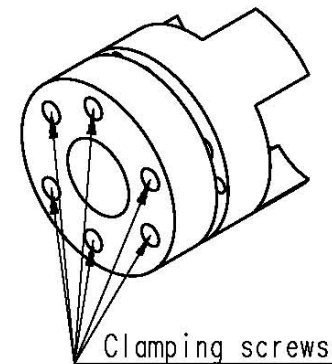


TABLE 3: FASTENING SCREW

Screw Dim.	Quality	Tightening torque
M3	8.8	1,35 Nm
M4	8.8	3,3 Nm
M5	8.8	6,5 Nm
M6	8.8	11,1 Nm
M8	8.8	26,6 Nm
M10	8.8	52,5 Nm
M12	8.8	91,2 Nm
M14	8.8	145 Nm



Technical changes to improve the performance of the equipment may be made without notice!  
All rights reserved. No part of this work may be reproduced in any form (by printing, photocopying, microfilm or any other method) or processed, copied or distributed by electronic means without the written permission of Danaher Motion.

**France**

Danaher Motion  
C.P 80018  
12, Rue Antoine Becquerel – Z.I. Sud  
72026 Le Mans Cedex 2  
Phone : +33 (0) 243 50 03 30  
Fax : +33 (0) 243 50 03 39  
E-mail : sales.france@danahermotion.com

**Germany**

Danaher Linear GmbH  
Nürtinger Straße 70  
72649 Wolfschlugen  
Phone : +49 (0) 7022 504 100  
Fax : +49 (0) 7022 504 405  
E-mail : sales.wolfschlugen@danahermotion.com

**Italy**

Danaher Motion srl  
Largo Brughetti  
20030 Bovisio Masciago  
Phone : +39 0362 594260  
Fax : +39 0362 594263  
E-mail : info@danahermotion.it

**Spain**

Danaher Motion  
Rbla Badal, 29-31 7th, 1st  
08014 Barcelona  
Phone : +34 (0) 9329 80278  
Fax : + 34 (0) 9329 80278  
E-Mail : josep.estaran@danahermotion.com

**Sweden**

Danaher Motion  
Box 9053  
291 09 Kristianstad  
Phone : +46 (0) 44-24 67 00  
Fax : +46 (0) 44-24 40 85  
E-mail : sales.scandinavia@danahermotion.com

**United Kingdom**

Danaher Motion  
Chartmoor Road  
Leighton Buzzard  
LU7 4WG  
Phone : +44 (0)1525 243 243  
Fax : +44 (0)1525 243 244  
E-mail : sales.uk@danahermotion.com

**China**

Danaher Motion  
Rm 2205, Scitech Tower  
22 Jianguomen Wai Street  
Beijing 100004  
Phone : +86 10 6515 0260  
Fax : +86 10 6515 0263  
E-mail : sales.china@danahermotion.com

**India**

Danaher Motion  
Unit No 2, SDF 1 SeepzAnderi  
Mumbai 400 096  
Phone : +91 22 2829 4058  
Fax : +91 22 2839 4036  
E-mail : girish.mahajani@danahermotion.com

**Japan**

Danaher Motion Japan  
2F, Tokyu Reit Hatchobori Bldg,  
2-7-1 Hatchobori Chuo-ku,  
Tokyo 104-0032  
Phone : +81 3 6222 1051  
Fax : +81 3 6222 1055  
E-mail : info@danahermotion.co.jp

**USA, Canada and Mexico**

Danaher Motion  
203A West Rock Road  
Radford, VA 24141  
Phone : +1 540 633 3400  
Fax : +1 540 639 4162  
E-mail : DMAC@danahermotion.com