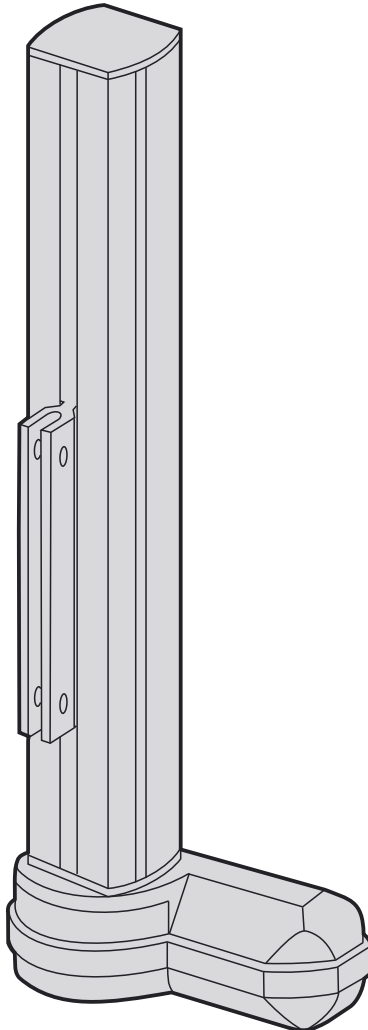


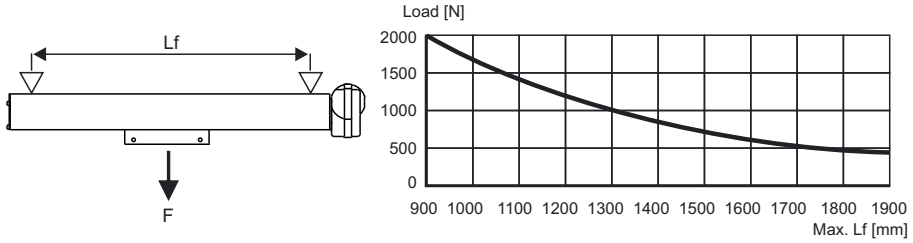
Installation manual for rodless linear actuator LoadMaster 80



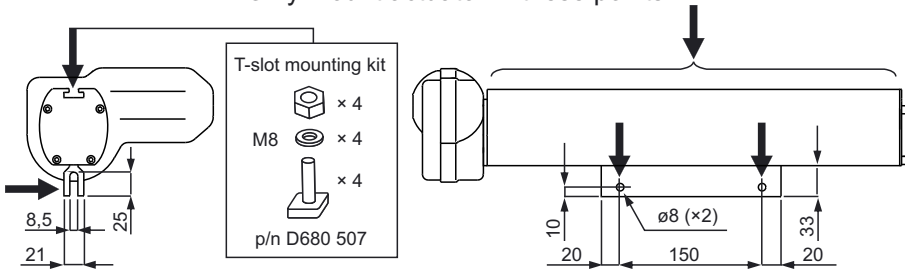
CE
12 VDC
24 VDC

Basic mounting rules

Do not exceed the max. permissible distance between the mounting points!

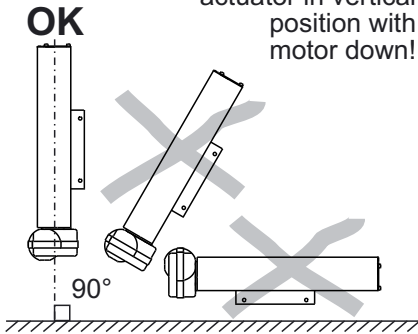


Only mount actuator in these points!



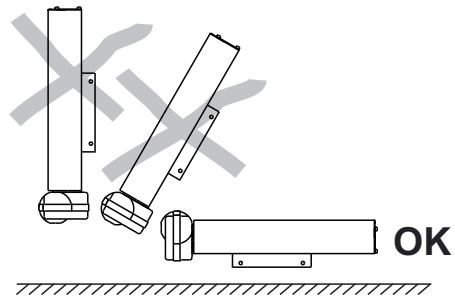
DT.....M.....V.
DT.....M.....F.

Only mount actuator in vertical position with motor down!



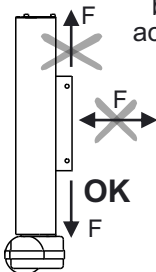
DT.....M.....H.

Only mount actuator in horizontal position!



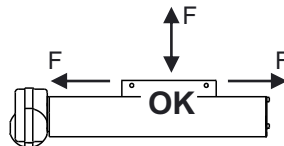
DT.....M.....V.
DT.....M.....F.

Load can only be applied to the actuator in vertical direction!

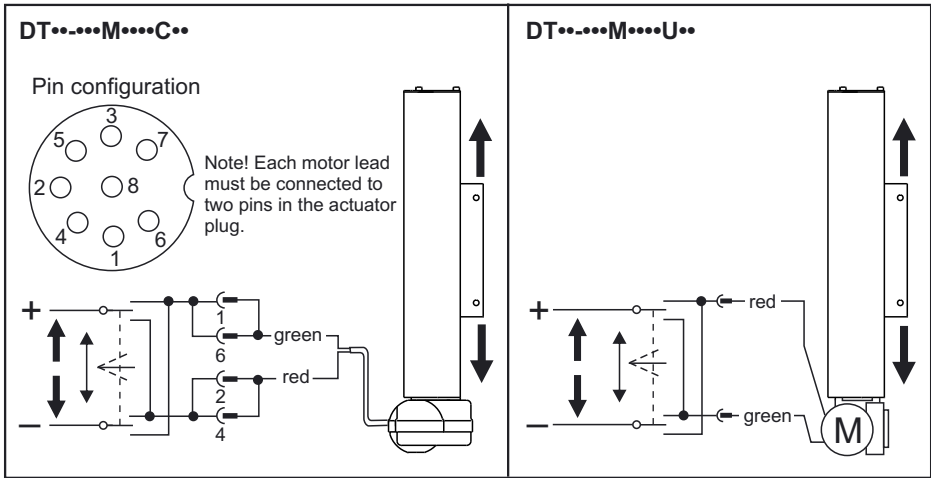


DT.....M.....H.

Load can be applied to the actuator in any direction!



Connection of actuator

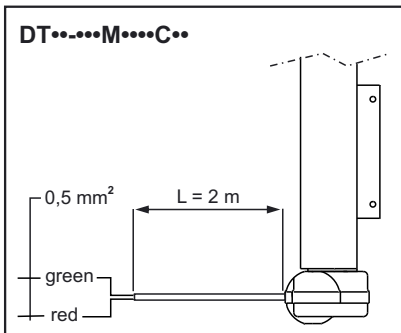


Wire cross section

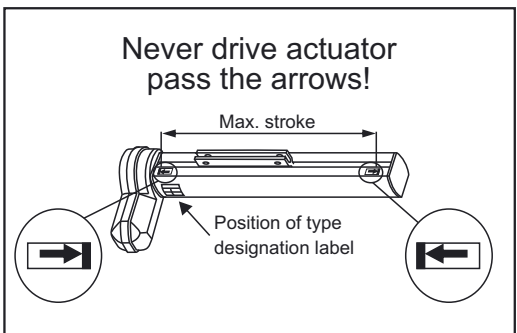
Voltage (VDC)	Current (A)	mm ²		
		L = 2 m	L = 5 m	L = 9 m
12	0 – 13	1.5	2.5	4
24	0 – 7	1.5	1.5	1.5

Table is based on ambient temperature = 30°C or less.

Motor lead data



Maximum stroke



CAUTION!

Always turn the power off before working on the actuator or the wiring.

Technical data

	DT12	DT24
Motor	DC-motor	DC-motor
Supply voltage	12 Vdc	24 Vdc
Max. current @ max. load model: DT•-T68M•••••H• model: DT•-T68M•••••V(F)• model: DT•-B52M•••••H• model: DT•-B52M•••••V(F)• model: DT•-B65M•••••H• model: DT•-B65M•••••V(F)•	10 A 15 A 10 A 16 A 4 A 14 A	5 A 7,5 A 5 A 8 A 2 A 7 A
Mounting position model: DT•••••M•••••H• model: DT•••••M•••••V(F)•	horizontal vertical with motor down	horizontal vertical with motor down
Duty cycle	15 % @ 20° C	15 % @ 20° C
Max. on time	2 min.	2 min.
Ambient temperature	0 – + 40 °C	0 – + 40 °C
Protection class model: DT•••••M•••••C•• model: DT•••••M•••••U••	IP 44 IP 30	IP 44 IP 30
Lubrication	for life	for life
Self locking model: DT•••••M•••••H• model: DT•••••M•••••V(F)•	no yes	no yes
Weight	kg = L × 5,7 + 2,8	kg = L × 5,7 + 2,8

Always install fuse and / or thermal breaker between motor and power supply to protect actuator, wiring and other items.

TOLLO LINEAR AB

PRINTED IN SWEDEN © 2001 DW110404gb-0606

Printed on recycled paper

Box 9053, SE-291 09 Kristianstad, Sweden

Tel. +46 (0)44-246700 Fax. +46 (0)44-244085