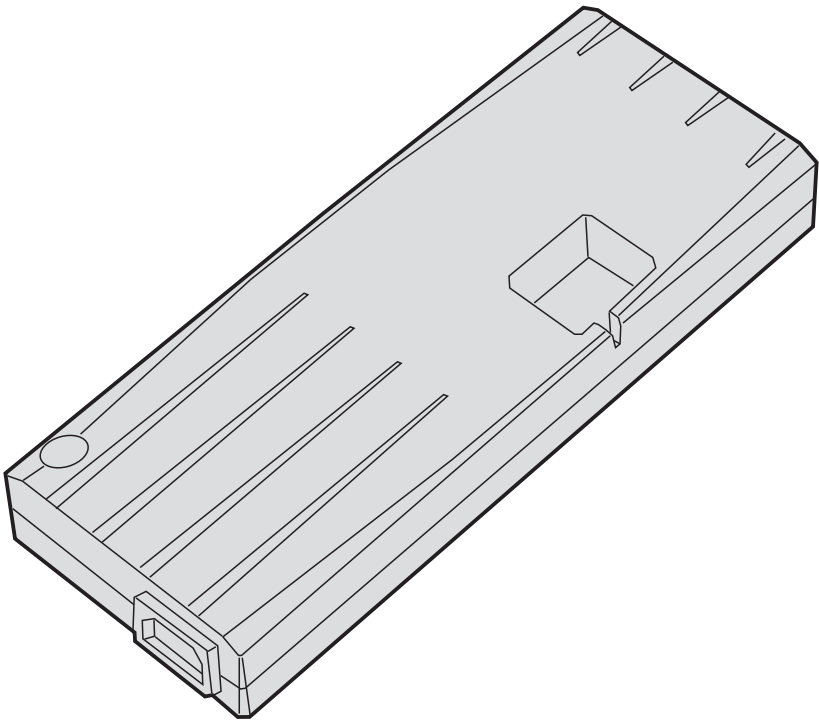
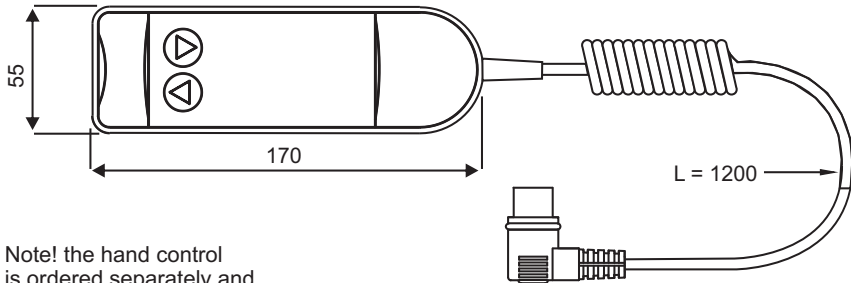
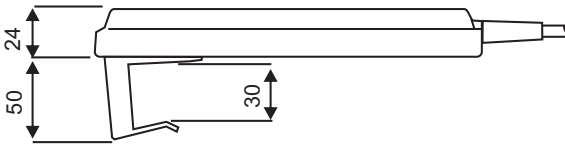
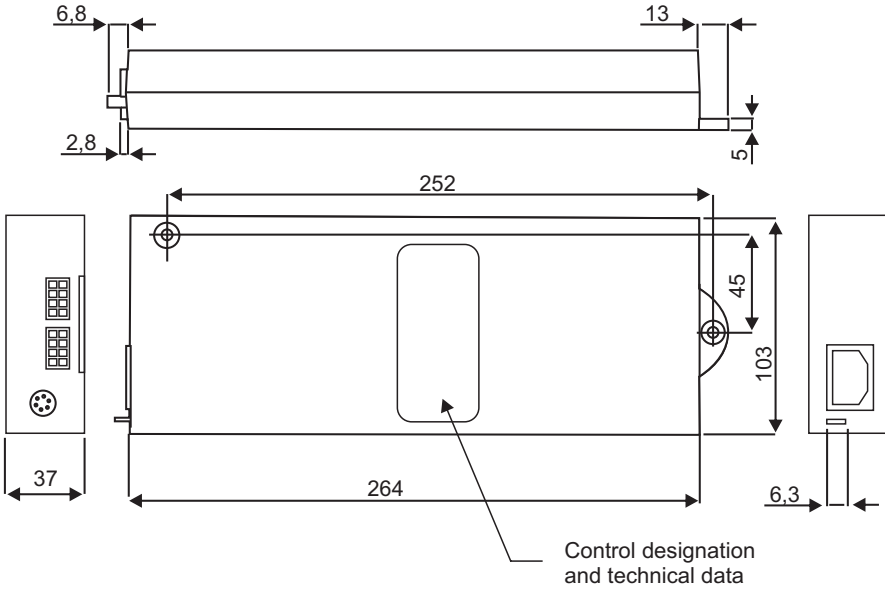


# ***Installation manual for actuator controls type DCG***



# Basic mounting



Note! the hand control is ordered separately and is not supplied with the control box as standard.



Min. 0 °C

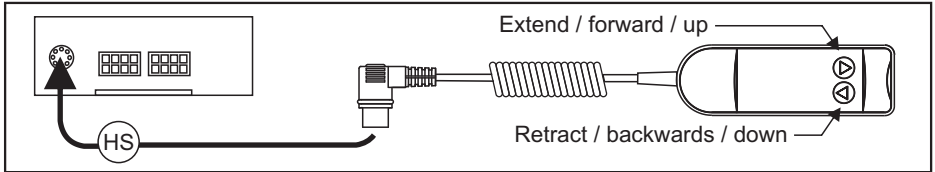


Max. + 30 °C

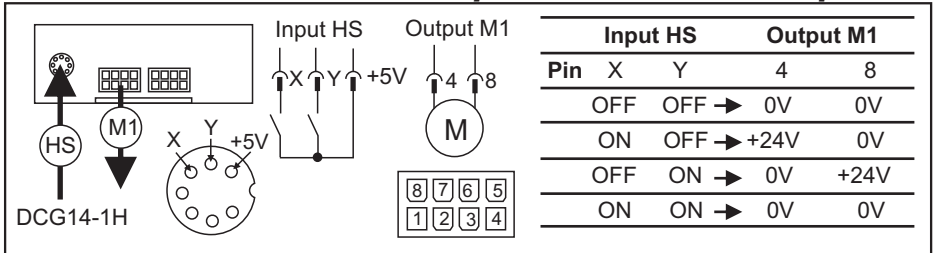


Indoor use only!

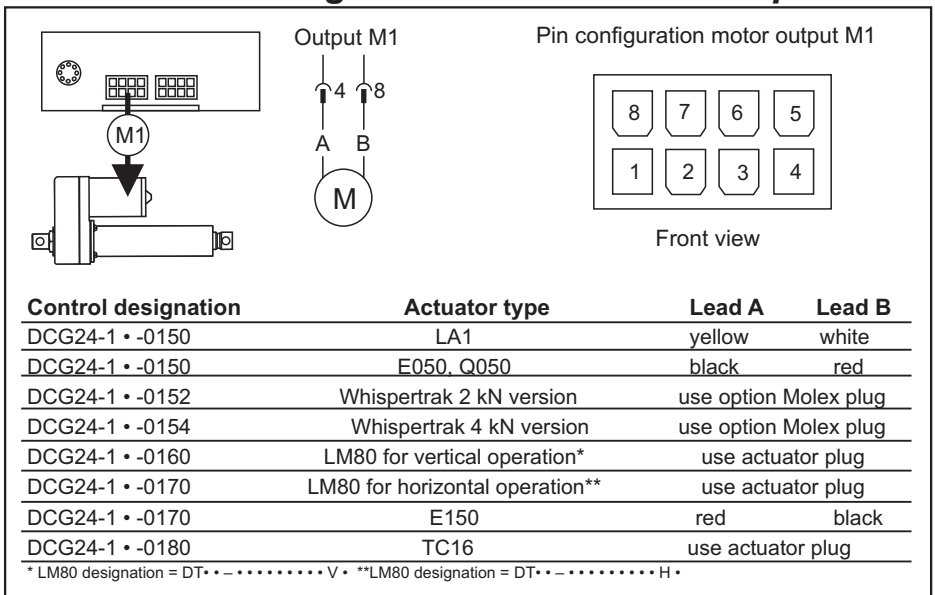
## Connection of hand control DCG14-1H



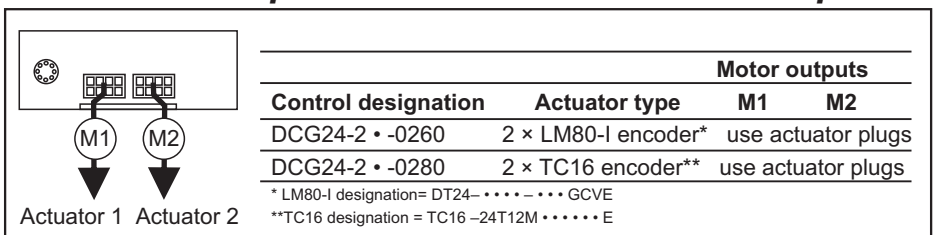
## Connection of direction inputs and motor outputs



## Connection of single actuator to motor outputs



## Connection of parallel actuators to motor outputs



## Reset procedure for parallel operating actuators

The following reset procedure is necessary at every power on or if the units has become misaligned.

1. Press retract/down key until the actuator reach the innermost/lowest possible pre-programmed end position and release the key.
2. Press and hold retract/down again. After about 5 seconds the units will start to move slowly again until the units has reached their absolute end position.
3. Release key down. The units is now aligned and ready for normal operation.

## Technical data

	<b>CONTROL DCG</b>
Supply voltages*	230 ± 6 % Vac 50 Hz 115 ± 6 % Vac 60 Hz
Output voltage	24 Vdc
Output current, max. DCG24-1 • -0150 DCG24-1 • -0160 DCG24-1 • -0170 DCG24-1 • -0180 DCG24-2 • -0260 DCG24-2 • -0280	4 A 8 A up / 5,6 A down 8 A 8 A 2 × 8 A up / 2 × 5,6 A down** 2 × 8 A**
Standby power consumption, max.	0,3 W
Weight of control	0,4 kg
Power supply cable length	3 m
Operating temperature limits	0 – 30 °C
Max. duty cycle @ 25 °C	10 %
Max. on time @ 25 °C	120 s
Operating humidity (non-condensing)	5 – 85 %
Protection class / IP class	class 1 / IP20
	<b>HAND CONTROL DCG14-1H***</b>
Weight	0,418 KG
Cable length	1,8 m

\* See label on the control for information on the correct supply voltage for your control.

\*\* Double outputs for parallel synchronous operation of two actuators.

\*\*\* Optional, ordered separately.

### **CAUTION!**

*Make sure to always turn the power off before working on the actuator or the wiring.*

**TOLLO LINEAR AB**

PRINTED IN SWEDEN © 2012 DW110548gb-1239  
Printed on recycled paper

Box 9053, SE-291 09 Kristianstad, Sweden  
Tel. +46 (0)44-246700 Fax. +46 (0)44-244085