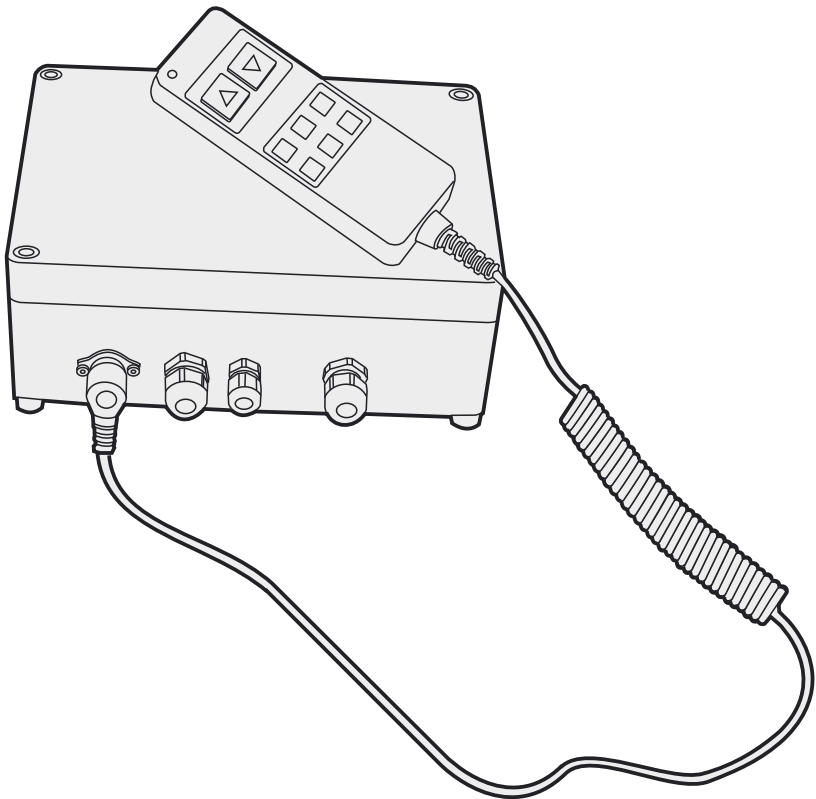


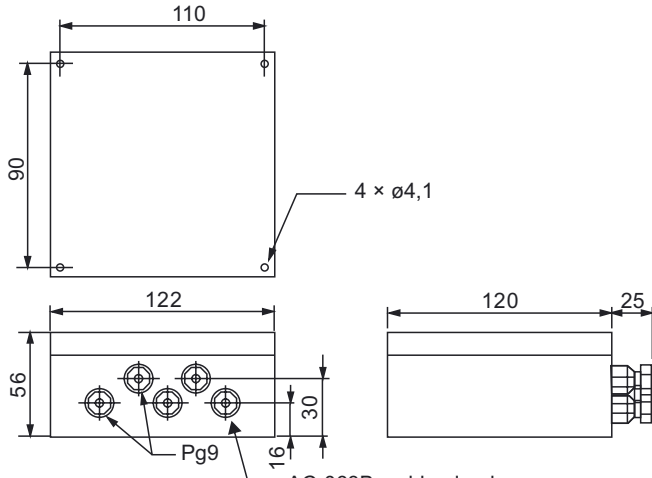
Installation manual for actuator controls type AC-063



CE

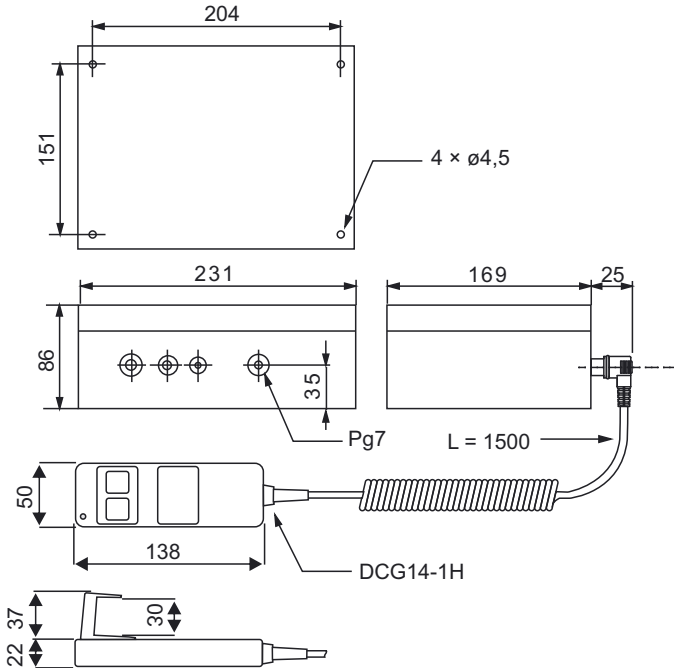
Basic mounting and dimensions

AC-063B/BC



AC-063B: cable gland
 AC-063BC: input for hand control DCG14-1H

AC-063C



Environment

AC-063B/BC/C



Min. - 22 °C



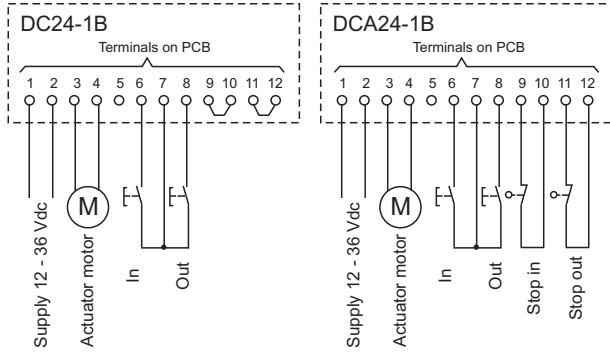
Max. + 65 °C



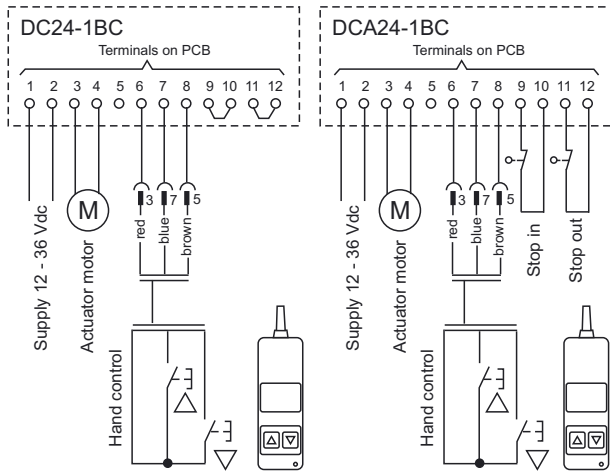
IP65/IP54/IP54

Connection

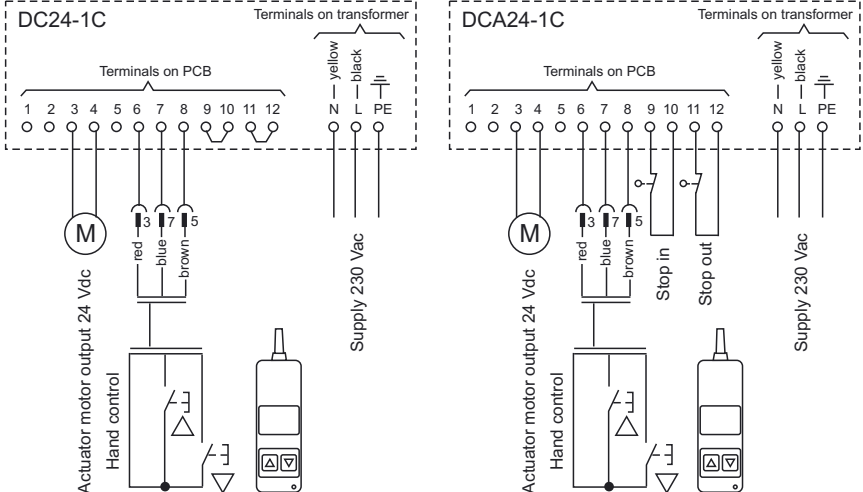
AC-063B



AC-063BC



AC-063C



Technical data

	AC-063B*	AC-063BC*	AC-063C*
Supply voltage ($\pm 10\%$)	12 - 36 Vdc	12 - 36 Vdc	230 Vac, 50 Hz
Output voltage	12 - 36 Vdc	12 - 36 Vdc	24 Vdc
Output current, max. @ 12 Vdc output voltage @ 24 Vdc output voltage @ 36 Vdc output voltage	30 A 17 A 12 A	30 A 17 A 12 A	- 17 A -
Weight of control	0,4 kg	0,4 kg	3 kg
Operating temperature limits	-22 - 65 °C	-22 - 65 °C	-22 - 65 °C
Max. duty cycle @ 25 °C	10 %	10 %	10 %
Protection class	IP65	IP54	IP54
Fuse on PCB	2 At	2 At	2 At
Limit switch inputs*	DC24-1B / no DCA24-1B / yes	DC24-1BC / no DCA24-1BC / yes	DC24-1C / no DCA24-1C / yes
Hand control included	no	DCG14-1H	DCG14-1H
	HAND CONTROL DCG14-1H		
Weight	0,4 kg		
Cable length	1,5 m		

* See label on the control for information on the type of control..

CAUTION!

Make sure to always turn the power off before working on the actuator or the wiring.

TOLLO LINEAR AB

PRINTED IN SWEDEN © 2006 DW110549gb-0607
Printed on recycled paper

Box 9053, SE-291 09 Kristianstad, Sweden
Tel. +46 (0)44-246700 Fax. +46 (0)44-244085